



ANLT100-PRO

ANLT150-PRO

Motorized Projector lift

ANLT100-PRO

ANLT150-PRO



Controller



Joint



Projector



Main Body

Description:

Different from the commonly-available scissors structure, LT100 PRO series motorized projector lift is using a single-armed structure made from aluminum alloy, which can avoid the front-to-back and side-to-side swing problem. The anti-broken structure ensures the security of use. This series including three models LT50 LT100 LT150, customer could choose the proper lift according to the different ceilings. Besides these standard size, we could produce the lift as client's customized requirement within 2 meters travel distance. The weight capacity is 40 kg.

Specifications:

Model No.	ANLT100-PRO	ANLT150-PRO
Overall Size (WxDxH) MM	453 x 528 x129 mm	453 x 528 x129 mm
Overall Ceiling Closure	500 x 500 mm	500 x 500 mm
Distance from ceiling to false ceiling	250 mm + Projector Height	300 mm + Projector Height
Traveling distance	100 cm	150 cm
Arm Thickness	129 mm	129 mm
Max Projector Size	50x50x15 cm, Customized	50x50x15 cm, Customized
Control	RF/RS232/485	RF/RS232/485
Load Capacity (kg)	≤40	≤40
Input Voltage	220V	220V
Remote Control	Remote Controller Included	Remote Controller Included

For more information contact:

Anchor AV, P.O. Box 121071, Dubai, U.A.E.

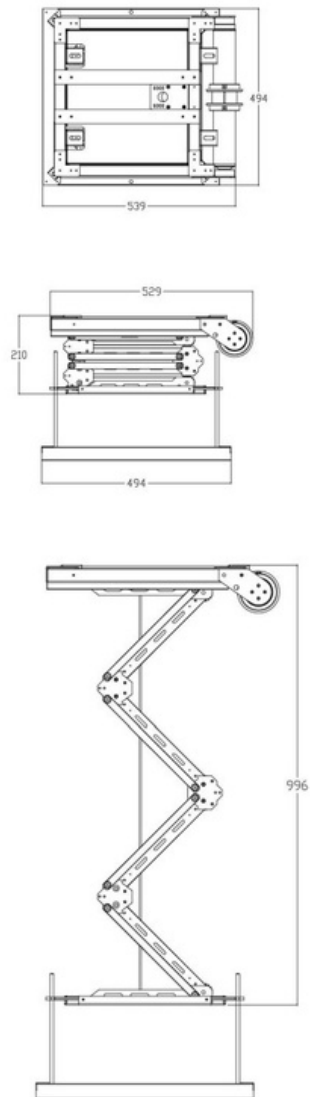
Tel: +971 4 3706522, Email: enquiry@anchorav.com

Copyright © 2020 Anchor AV. ANCHOR PRO is the registered trademark of Anchor AV Accessories. Specifications and terms are subject to change without prior notice.

ANLT100-PRO

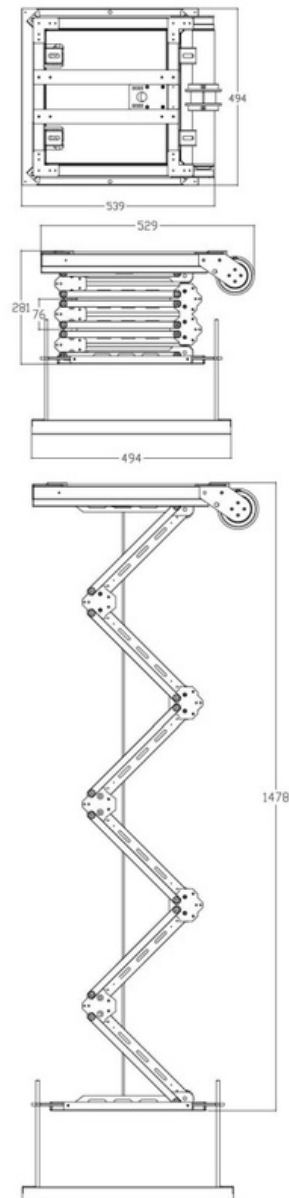
ANLT150-PRO

ANLT100-PRO



Ultra thin design, thickness is only 210mm, single-armed structure is made from aluminum alloy, which can avoid the front-to-back and side-to-side swing problem.
 Arm sections: 4
 Overall dimension: 453x528x210mm
 Ceiling opening: 500x500mm/550x550mm
 Traveling distance: 210-990mm
 Distance from ceiling to false ceiling: 450-1000mm

ANLT150-PRO



Ultra thin design, thickness is only 260mm, single-armed structure is made from aluminum alloy, which can avoid the front-to-back and side-to-side swing problem.
 Arm sections: 6
 Overall dimension: 453x528x281mm
 Ceiling opening: 500x500mm/550x550mm
 Traveling distance: 290-1500mm
 Distance from ceiling to false ceiling: 520-1500mm

For more information contact:

Anchor AV, P.O. Box 121071, Dubai, U.A.E.

Tel: +971 4 3706522, Email: enquiry@anchorav.com

Copyright © 2020 Anchor AV. ANCHOR PRO is the registered trademark of Anchor AV Accessories. Specifications and terms are subject to change without prior notice.