**ANBR3270DS-Pro**

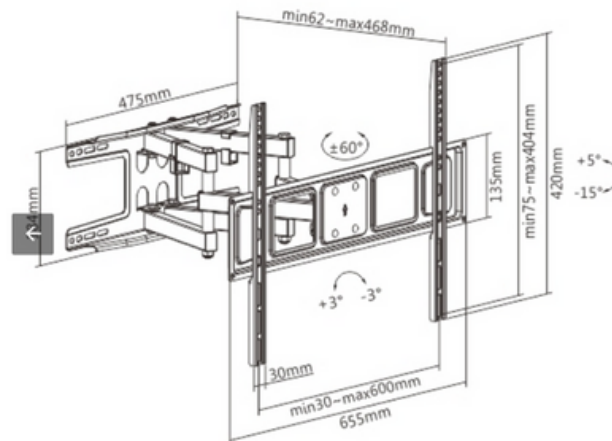
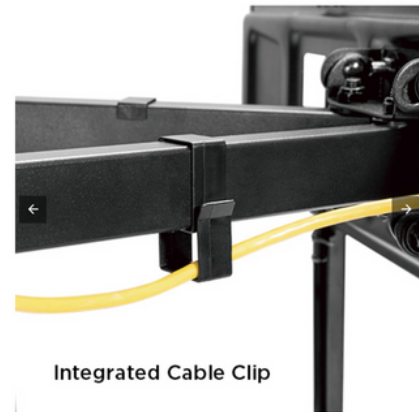
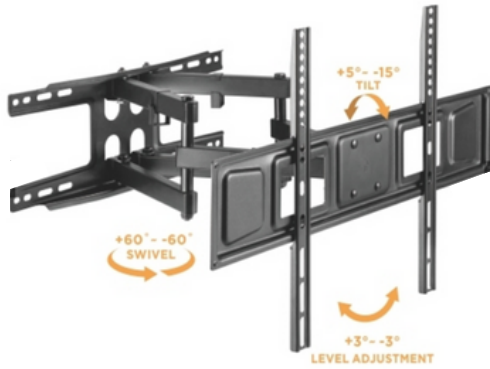
FULL-MOTION TV WALL MOUNT with DOUBLE STUD

Swivel Bracket for 37"-80" Flat Panel TVs

The ANBR3270DS-Pro is an economical full-motion TV mount which accommodates most of the 37"-80" flat-panel TVs weighing up to 40kg/88lbs. Its full-motion capabilities allow a +5°~-15° tilting and a +60°~-60° swivelling of your TV, which maximizes the flexibility for easy viewing from different angles in the room. The +3°~-3° levelling adjustment ensures the TV is perfectly positioned, and the integrated cable clip keeps cables organized and protected.

ANBRW3270DS-Pro

FULL-MOTION TV WALL MOUNT with DOUBLE STUD



Features:

- ▶ Free-Tilting Design: makes easy forward or backward adjustment for better viewing and reduced glare
- ▶ Swivelling Arm's: offer's maximum viewing flexibility (makes every seat the best seat)
- ▶ Built-In Level Adjustment: ensures perfect positioning
- ▶ Cable Management: keeps everything organized

For more information contact:

Anchor AV, P.O. Box 121071, Dubai, U.A.E.

Tel: +971 4 3706522, Email: enquiry@anchorav.com

Copyright © 2020 Anchor AV. ANCHOR PRO is the registered trademark of Anchor AV Accessories. Specifications and terms are subject to change without prior notice.

ANBRWS3270DS-Pro

FULL-MOTION TV WALL MOUNT with DOUBLE STUD

Specifications:

Product Category:	Full-motion TV Wall Mount
Rank:	Economy
Material:	Steel
Metal Sheet Thickness:	Bracket Arm THK=1.5mm cold-rolled sheet, ESA Panel THK=1.8mm cold-rolled sheet, Wall Plate THK=2mm cold-rolled sheet (Bracket Arm THK=0.059" cold-rolled sheet, ESA Panel THK=0.071" cold-rolled sheet, Wall Plate THK=0.079" cold-rolled sheet)
Pipe Size:	30x20x1.5mm Square Steel Tube (1.2"x0.79"x0.059" Square Steel Tube)
Surface Finish:	Powder Coating
Color:	Fine Texture Black
Dimensions:	468x655x420mm (18.4"x25.8"x16.5")
Fit Screen Size:	37"-80"
Fit Curved TV:	Yes
Mounting Hole Pattern :	VESA & Universal
VESA Compatible:	75x75,100x100,100x150,150x100,100x200,200x100,150x150,200x200,300x200,400x200,300x300,400x300,400x400,600x400
Max. Mounting Hole:	600x400
Weight Capacity:	40kg (88lbs)
Strength Tested:	3 Times Approved
Profile:	62~468mm (2.4"~18.4")
Tilt Range:	+5°~-15°
Swivel Range:	+60°~-60°
Screen Level:	+3°~-3°
Screen Freely Tilting:	No
Installation:	Solid Wall,Double Stud(406mm/450mm)
Panel Type:	Detachable Panel
Wall Plate Type:	Fixed Wall Plate
AV Component Shelf:	No
Direction Indicator:	Yes
Cable Management:	Yes
Anti-theft:	No
Bubble Level:	No
Accessory Kit Package:	Normal/Ziplock Polybag, Compartment Polybag

For more information contact:

Anchor AV, P.O. Box 121071, Dubai, U.A.E.

Tel: +971 4 3706522, Email: enquiry@anchorav.com

Copyright © 2020 Anchor AV. ANCHOR PRO is the registered trademark of Anchor AV Accessories. Specifications and terms are subject to change without prior notice.